

DESCRIPTION

The type 4C35 Hydrogen Thyatron is a hot-cathode grid-controlled gas rectifier tube especially designed for pulsing service at high repetition frequencies, high peak currents, and high voltages.

An outstanding feature of the Hydrogen Thyatron is the short deionization time required to convert the gaseous ions to neutral molecules when the tube is shut off. This permits the 4C35 to be operated at exceptionally high repetition frequencies. This tube also has the advantage that it may be operated over a wide range of ambient temperatures without significant change in electrical characteristics. For a tube of the same type rated at higher voltage see the Engineering Data Service sheet for type 5C22.

MECHANICAL DATA

Envelope	T20
Cap	Medium metal
Base	Super-Jumbo 4-pin with bayonet, A4-18
Mounting Position	Any, See Note 1

NOTE 1:—Clamping is permissible by the base and/or by the bulb in the area up to 2½ inches above the top of the base only.

NOTE 2:—Return for cathode current should be to pin No. 4 only.

NOTE 3:—No cooling stream of air should be directly applied to the tube envelope.

NOTE 4:—Tube should be kept away from strong fields which could ionize gas in the tube.

ELECTRICAL DATA AND OPERATING CONDITIONS (4C35)

Heater voltage	6.3 — 10% volts	+5%
Heater current at 6.3 volts	5.5 to 6.7 amps.	
Starting anode voltage	2.5 KV DC Min.	
Cathode heating time	180 sec. min.	
Peak anode voltage (Note 1)	8.0 KV max.	
Peak anode current	90 amps. max.	
Peak inverse anode voltage (Note 2)	8.0 KV max.	5% epy min.
Average anode current	100 ma. DC max.	
Rate of rise of anode current	1000 amps/μs max.	
Dissipation factor (Note 3)		
Grid Drive (Note 4)		
a) peak grid voltage	175 volts min.	
b) time of rise	0.5 μsec. max.	
c) grid pulse duration at 50 volts min. amplitude	2.0 μsec. min.	
d) impedance of grid drive circuit	1500 ohms max.	
Peak inverse grid voltage	200 volts max.	
Ambient temperature	—50°C. to +90°C.	

NOTE 1:—Where the plate supply voltage is applied instantaneously, the maximum value of the plate voltage shall not reach 7.0 KV in less than 0.04 second.

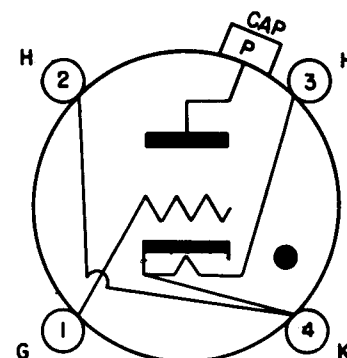
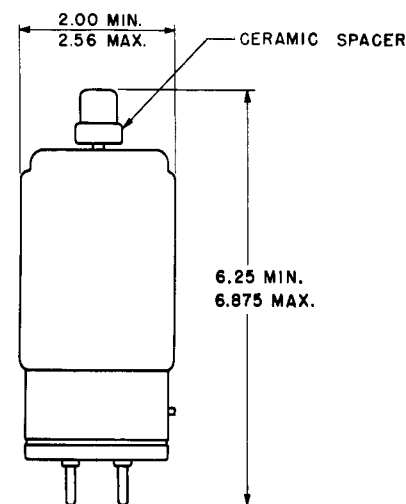
NOTE 2:—In pulsed operation, the peak inverse anode voltage exclusive of a spike of 0.05 micro-seconds maximum duration should not exceed 2.5 KV during the first 25 micro-seconds after the pulse.

NOTE 3:—The maximum dissipation factor will depend on the peak forward anode voltage (epy in volts), the peak anode current (ib in amps.), and the pulse repetition frequency (prf in pulses per second) according to the formula:

$$epy \times ib \times prf = 2.0 \times 10^9 \text{ Max.}$$

This formula is applicable for pulse repetition rates in the neighborhood of the test condition of 2800 pps. For rates far in excess of this, special caution should be exercised.

NOTE 4:—Measurements are at the tube socket with the thyatron grid disconnected.



APPLICATIONS

The type 4C35 may be used in a wide variety of applications which will take advantage of such features as:

1. Low deionization time, hence rapid switching rates.
2. High peak currents.
3. High plate voltages (but may be used at lower voltages if it is desired).
4. Moderate trigger requirements.
5. Ability to be operated at zero bias.
6. Operation over a wide ambient temperature range without appreciable effect on the electrical characteristics.
7. Low tube voltage drop, with attendant efficiency.
8. Relatively low cost.
9. Reliability and general flexibility of operation.

The circuit for which this tube was especially developed is shown below. The output in this case consists of periodic rectangular pulses. These are developed when the thyatron fires and releases electric charge stored in the capacitance of the pulse-forming-network (PFN). This network determines the duration and shape of the pulses. Between pulses, when the thyatron is not conducting, the PFN capacitance charges up through the charging choke L_c in a transient which swings the instantaneous plate voltage of the 4C35 above the power supply voltage.

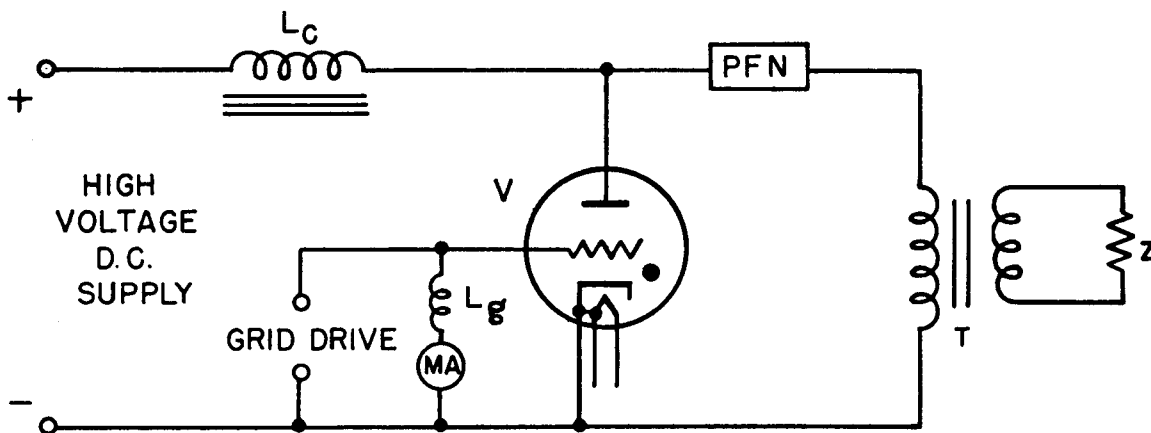
(The value reached is about double the power supply voltage and must be taken into account when applying the peak anode voltage ratings of the tube.)

The peak voltage of the pulse supplied to the pulse-transformer is about equal to that of the supply. By means of the pulse-transformer, of course, the output to the load may be stepped up to a higher level. This results in a saving in the size and cost of the supply, since components at lower voltage ratings may be used. The SYLVANIA

4C35 Hydrogen Thyatron is very well adapted to such voltage step-up by virtue of the very high peak currents it can furnish. Many varieties of short-duration pulses may be produced by different PFN designs.

Other applications suggested by the characteristics of this thyatron are:

1. Switching in welding circuits, particularly of the capacitor discharge type.
2. Shock excitation of tuned circuit.
3. Excitation of piezoelectric crystals.
4. Use in induction heating circuits to replace spark-gap heaters, resulting in trouble-free and quieter performance.
5. Pulser for pulse-time-modulation circuits in which signals are produced by modulating the pulse repetition rate.
6. Servomechanisms and control circuits where relatively high A.C. supply frequencies are used.



L_g	Grid Choke	T	Matching or Pulse-Transformer
L_c	Charging Choke	Z	Load
PFN	Pulse-Forming-Network	V	4C35